



May 2023 NRL22 Official Course of Fire

Announcement: Welcome to the 2024 season! We want to thank all the competitors who took the time out of their busy lives and submitted a COF for all of us to enjoy. Without you volunteering your time and creative thinking it would be a challenge to develop creative and unique courses of fires for everyone to enjoy.

PractiScore Template: Here is the link for the PractiScore template for this month's COF. This template has all the stages already built for you if you don't want to create them yourself. All you need to do is follow the instructions to the letter otherwise you risk your match results being overwritten. [PractiScore Template](#)

!!! You need to clone the PractiScore Template after you have uploaded it to your tablet. !!!

DFAT Range Card: The DST Precision DFAT allows you to use the rifle and optic to dryfire practice in a very small area such as your garage, living room, or even bedroom. With this adapter most scopes focus in the 11-15 feet range. You can find this month's COF range card here. [DFAT Range Practice Range Card](#)

COF Designer: This COF was designed by Brad Armstrong. Brad is a competitor and NRL22 Match Director from Izaak Walton League which is located in Kokomo, Indiana

If you have questions about the COF please email Dominic at Dom@NRL22.org

Range requirements: This month's COF will require a ladder, tank trap, sawhorse, 1x cinder block, 5-gal bucket, chair, 2-gal bucket, 55-gal barrel, a stopwatch that can time down to a tenth of a second, and the NRL22 standard target package. Left over targets: 1x 1", 1x 1.5", 1x 2", 1x 6"

Scoring submissions: In accordance with the 2024 NRL22 rules, Match Directors are required to submit scores within 7 days of their match concluding. Download the NRL22 Scores sheet from the downloads section on NRL22.org/downloads, fill out the results, and submit scores through the NRL22.org by clicking [here](#), followed by payment for the match admin fee. Keep in mind that only NRL22 members are eligible for prizes and while we have a 7-day grace period for membership, if the prizes are already distributed, it is the competitor's loss.

Live Stream: The live show for prizes will happen on **June 14th, 2023**. If you have questions, ask them during the live show and we will answer them for you.

Terms of Use

The use of this course of fire is restricted to personal/individual use; however, the use of this course of fire in a match setting must be operated within the NRL22 rules and is restricted to current NRL22 clubs. The monthly course of fire is a proprietary product of the NRL22. Furthermore, the scores of every competitor at that match must be submitted to the NRL22 regardless of the competitor's membership status. Every competitor is given a 7-day grace period to become a member and claim their score.



May 2023 NRL22 Official Course of Fire

Here is the running list of approved out-of-production rifles that will remain in Base division. These rifles must be in their original factory configuration to be eligible for Base division. The only modifications to those rifles are the ones listed in the NRL22 Rules Section 5. B. The burden of providing solid evidence for inclusion into Base division rests squarely on the shooter, and the MD makes the final call on which division the shooter's rifle gets classified in. MSRP should be gathered from the manufacturer (ref: manufacturer website / customer service) vs the retail price of a seller.

- CZ 452 (all models)
- CZ 455 (all models)
- Savage (all models, except Savage Anschutz)
- Ruger (all models)
- Marlin/Glenfield
 - Levermatic
 - Model 20
 - Model 780
 - Model 39A (variants & predecessors)
- Mossberg (all models)
- Winchester
 - Model 69 & variants
 - Model 131 & 141 (including SR variants)
- Coeey
 - 64 (predecessor to Savage 64)

- Example #1: The CZ 452 American had an MSRP of \$409.00 in 2007. Inflation adjustment puts that MSRP at \$618.65 in 2021. This is clearly in line with many other "base class" rifles including several versions of the CZ 457.
- Example #2: The CZ 455 Varmint Precision Trainer had an MSRP of \$967 in 2018. Inflation adjustment puts that MSRP at \$1056.67 in 2021. Unless the competitor is electing to shoot with iron sights, it would be practically impossible for this model to stay under the applicable \$\$\$ threshold.
- Example #3. The Winchester Model 52 Sporter had an MSRP of just \$88.50 in 1934. However, 87 years of compound inflation really adds up. Inflation adjustment puts that MSRP at \$1158.20 in 2021. The Model 52 will be a ton of fun to shoot, ...in Open class.

Inflation/compound interest calculator can be found at <https://www.investor.gov/financial-tools-calculators/calculators/compound-interest-calculator>

Use a fixed 3.0% rate, nothing for variance range, compound annually

Terms of Use

The use of this course of fire is restricted to personal/individual use; however, the use of this course of fire in a match setting must be operated within the NRL22 rules and is restricted to current NRL22 clubs. The monthly course of fire is a proprietary product of the NRL22. Furthermore, the scores of every competitor at that match must be submitted to the NRL22 regardless of the competitor's membership status. Every competitor is given a 7-day grace period to become a member and claim their score.

Back n' Forth

Time: 120 Sec

Round Count: 10

Option 1 – 35 yds: 1", ¾", ½", ¼" on a KYL rack
100 yds: 3" on single hanger

Ranges and Targets:

Option 2 – Same targets and distance.

Stressor: 90 second par time and no rear equipment support

Restrictions: None

Points: 10 points per impact, 100 points possible

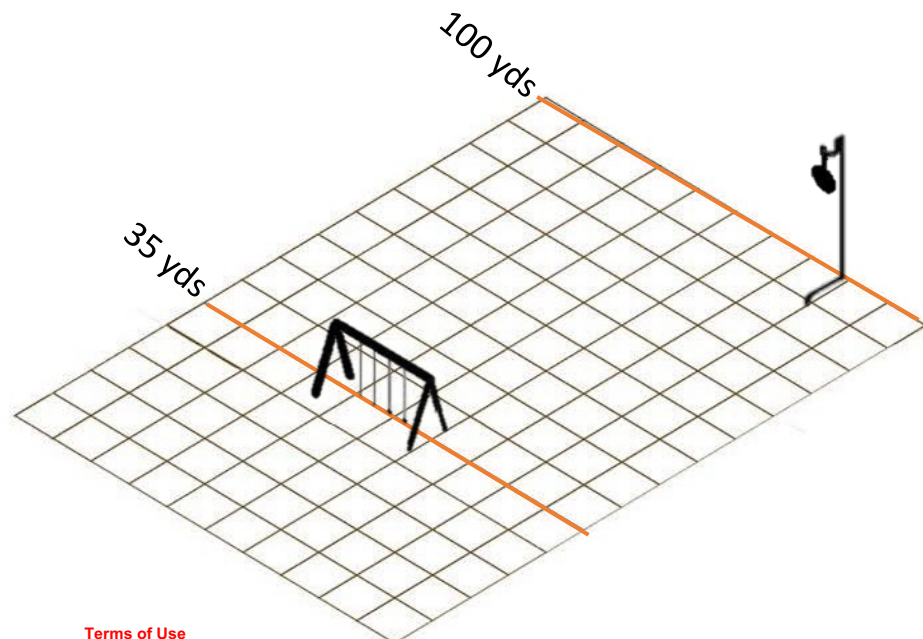
Start Position: Standing, rifle and all gear in hand, mag in, action open

Description: On the start signal, you will take a prone supported position and engage the targets with 1 shot each in the following order:

- KYL Rack (large to small)
- Far target
- Far target
- KYL Rack (small to large)

All targets are hit or miss, move on.

Adaptive Recommendation: Same target engagement. You will start in position with mag out and off glass.



Terms of Use

Shoots And Ladders

Time: 120 Sec

Round Count: 10

Option 1 – 50 yds: 2" on a single hanger
75 yds: 3" on a single hanger

Ranges and Targets:

Option 2 – Same targets and distance.

Stressor: 1 shot per target. Near to far.

Must move after every shot.

**Work from the bottom to the top
of the ladder and back down.**

Restrictions: None

Points: 10 points per impact, 100 points possible

Start Position: Standing, rifle and all gear in hand, mag in, action open

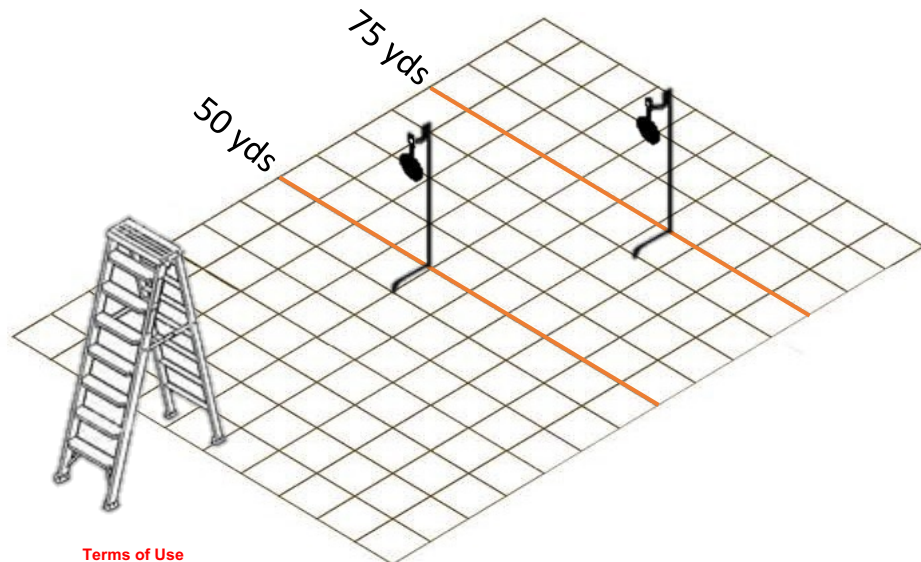
Description: On the start signal, you will start on the lowest rung and engage both targets from near to far with 1 shot each and then move up to the next rung.

Repeat this until all shots are fired.

If you can't safely reach the highest rung on the ladder, you will move down to the next rung. i.e., if you just got done shooting on rung 4 but can't reach rung 5, then you will move to rung 3.

You must move after every 2 shots.

Adaptive Recommendation: Same starting position and target engagement. You will use the two highest rungs you can reach and alternate between them after every 2nd shot.



Terms of Use

Ready, Set, Shoot!

Time: 120 Sec

Round Count: 12

Option 1 – 40 yds: 1.5" on a double hanger
60 yds: 2.5" on a double hanger
90 yds: 4" on a double hanger

Ranges and Targets:

Option 2 – 70 yds: 3"
100 yds: 5"
130 yds: 6"

Restrictions: No Dialing, only magnification and parallax may be adjusted

Points: 10 pts per impact plus 0.1 bonus points per second remaining.

For the PractiScore NRL22 template, enter the total time elapsed in seconds.

Start Position: Standing, rifle and all gear in hand, mag in, action open

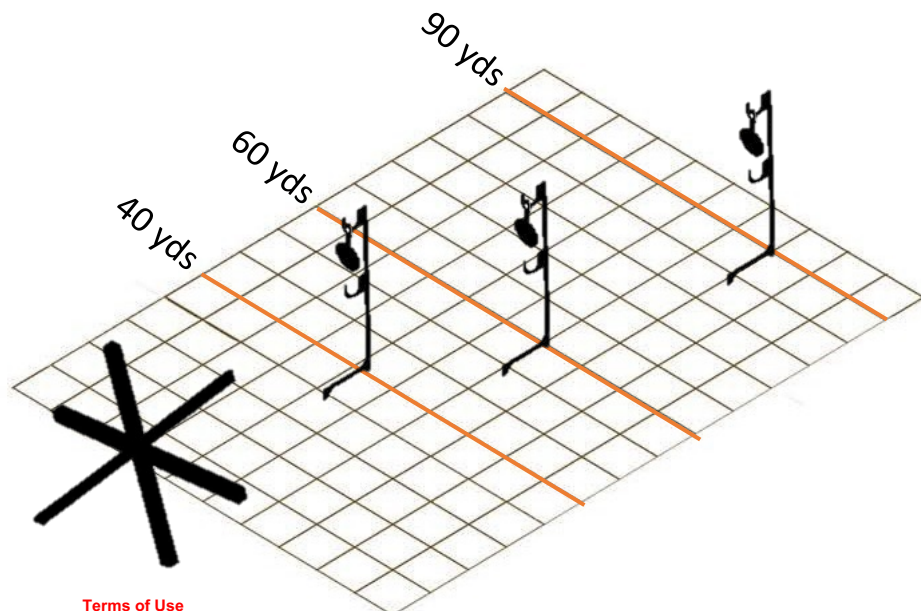
Description: On the start signal, you will take a position on 1 of the 3 tank trap tips and engage the targets from near to far with 1 shot each.

You must move after 3 shots.

The final 3 shots must be shot from the center of the tank trap.

No tank trap tip can be reused.

Adaptive Recommendation: Same starting position and target engagement. You will only use the the tips. You may repeat tips but must change tips after 3 shots.



Terms of Use

Going The Distance

Time: 120 Sec

Round Count: 10

Option 1 – 45 yds: 1" & 1.5" on a double hanger
68 yds: 2" & 2.5" on a double hanger
100 yds: 5" on a single hanger

Ranges and Targets:

Option 2 – Same targets and distance.

Stressor: 90 sec per time and mag change

Restrictions: No part of the bipod can touch the ground

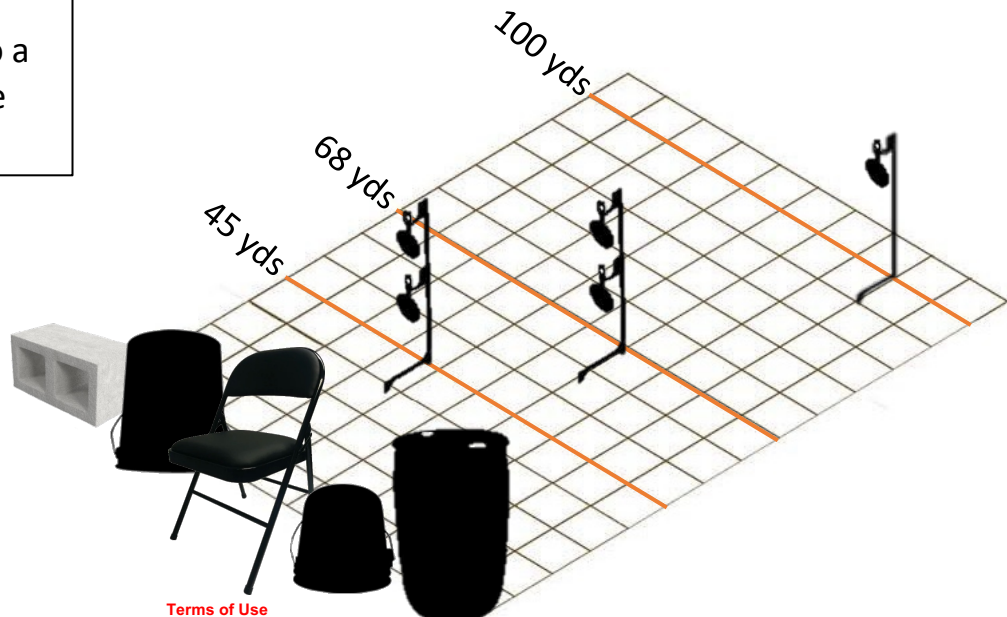
Points: 10 points per impact, 100 points possible

Start Position: Standing, rifle and all gear in hand, mag in, action open

Description: On the start signal, you will take a position on 1 of the 5 barricades and shoot the targets from near to far, large to small with 1 shot each.

After 5 shots, you will transition to a different barricade and engage the targets in the same sequence.

Adaptive Recommendation: Same starting position and target engagement. You will use the 55-gal barrel and select another prop. That prop may be place on another 55-gal barrel or on a bench.



Terms of Use

Seesaw The Sawhorse

Time: 120 Sec

Round Count: 10

Option 1 – 82 yds: 2.5" & 3" on a double hanger

Ranges and Targets:

Option 2 – 135 yds: 4" & 5"

Restrictions: None

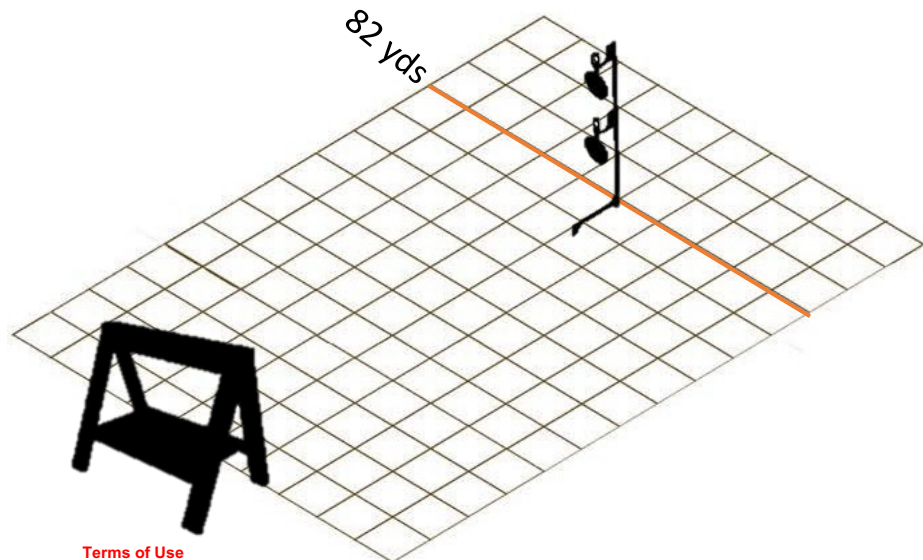
Points: 10 points per impact, 100 points possible

Start Position: Standing, rifle and all gear in hand, mag in, action open

Description: On start signal, you will engage each target with 1 shot from large to small in the following order:

- Prone left side of sawhorse
- Top of sawhorse
- Prone right of sawhorse
- Top of sawhorse
- Prone left of sawhorse

Adaptive Recommendation: Same starting position and target engagement. You will shoot support side on the sawhorse instead of prone, i.e., Strong side on the sawhorse, support side on the sawhorse, etc. A stool may be use to sit on.



Terms of Use