



July 2022 NRL22 Official Course of Fire

Welcome to the month of our country's Independence. Our forefather's fought long and hard so that we can enjoy our freedoms today and shoot this amazing sport. This month think about what our freedom means and share this great sport with family and friends.

PractiScore Template: Here is the link for the PractiScore template for this month's COF. This template has all the stages already built for you if you don't want to create them yourself. All you need to do is follow the instructions to the letter otherwise you risk your match results being overwritten. [PractiScore Template](#)

DFAT Range Card: The DST Precision DFAT allows you to use the rifle and optic to dryfire practice in a very small area such as your garage, living room, or even bedroom. With this adapter most scopes focus in the 11-15 feet range. You can find this month's COF range card here. [DFAT Range Practice Range Card](#)

Option 2: Please refer to the NRL22 rules on the specifics on how to run option 2. Bottom line up front, an MD cannot run option 1 and option 2 for the same stage. The MD can only select one of the options for a stage. The MD can have a combination of both options for the entire match though.

Part of the option 2 is the ability to have an advanced option for MD's to challenge their competitors. On the course of fire we will have "stressors" labeled in red. The stressors will be lower par times, different shooting order, more movement, magazine changes, etc.

COF Designer: Dominic Thompson out of Fort Campbell, KY. Thank you to our NRL22 Advisory Team in providing feedback to make this COF a well-rounded match.

If you have questions about the COF please email Dominic at Dom@NRL22.org

Range requirements: This month's COF will require a 55-gallon barrel, tank trap, rooftop, ladder, 3x tires, chair, a stopwatch that can time down to a tenth of a second, and the NRL22 standard target package. Left over targets: 2x 1", 1x 1.5", 1x 2", 1x 4", and 1x 6".

Safety suggestions: Weed whacker plastic string works very well for Empty Chamber Indicators (ECI). Using ECI ensures a rifle is not loaded and especially useful for semi-auto rifles. Mag block flags are acceptable for an ECI; however, the RO needs to ensure that the chamber is clear. The stages' starting positions were deliberately set up for safety. Ensure RO's are very close to new shooters and kids, especially in case the 180 rule is broken or a transition is made without the action open or safety engaged.

Scoring submissions: In accordance with the 2022 NRL22 rules, Match Directors are required to submit scores within 7 days of their match concluding. Download the NRL22 Scores sheet from the downloads section on NRL22.org/downloads, fill out the results, and submit scores through the NRL22.org by clicking [here](#), followed by payment for the match admin fee. Deadline for submissions is **August 3rd, 2022**. Keep in mind that only NRL22 members are eligible for prizes and while we have a 7-day grace period for membership, if the prizes are already distributed, it is the competitor's loss. The live Facebook show for prizes will happen on **August 10th, 2022**.



July 2022 NRL22 Official Course of Fire

Here is the running list of approved out-of-production rifles that will remain in base class. These rifles must be in their original factory configuration to be eligible for base class. The only modifications to those rifles are the ones listed in the NRL22 Rules Section 5. B. The burden of providing solid evidence for inclusion into base class rests squarely on the shooter, and the MD makes the final call on which class the shooter's rifle gets classified in.

- CZ 452 (all models)
- CZ 455 (all models)
- Savage (all models, except Savage Anschutz)
- Ruger (all models)
- Marlin/Glenfield
 - Levermatic
 - Model 20
 - Model 60 (aka Glenfield 60) & historical variants
 - Model 65 (aka Glenfield 65) & historical variants
 - Model 780
 - Model 39A (variants & predecessors)
- Mossberg (all models)
- Winchester
 - Model 69 & variants
 - Model 131 & 141 (including SR variants)
- Cooney
 - 60
 - 64 (predecessor to Savage 64)

- Example #1: The CZ 452 American had an MSRP of \$409.00 in 2007. Inflation adjustment puts that MSRP at \$618.65 in 2021. This is clearly in line with many other "base class" rifles including several versions of the CZ 457.
- Example #2: The CZ 455 Varmint Precision Trainer had an MSRP of \$967 in 2018. Inflation adjustment puts that MSRP at \$1056.67 in 2021. Unless the competitor is electing to shoot with iron sights, it would be practically impossible for this model to stay under the applicable \$\$\$ threshold.
- Example #3. The Winchester Model 52 Sporter had an MSRP of just \$88.50 in 1934. However, 87 years of compound inflation really adds up. Inflation adjustment puts that MSRP at \$1158.20 in 2021. The Model 52 will be a ton of fun to shoot, ...in Open class.

Inflation/compound interest calculator can be found at <https://www.investor.gov/financial-tools-calculators/calculators/compound-interest-calculator>

Use a fixed 3.0% rate, nothing for variance range, compound annually

Let Freedom Ring

Time: 120 Sec

Round Count: 10

Ranges and Targets:

Option 1 - 89 yds: 3" on a single hanger

Option 2 - Same target distances and sizes as Option 1
Stressor: 1 shot from each position and then repeat

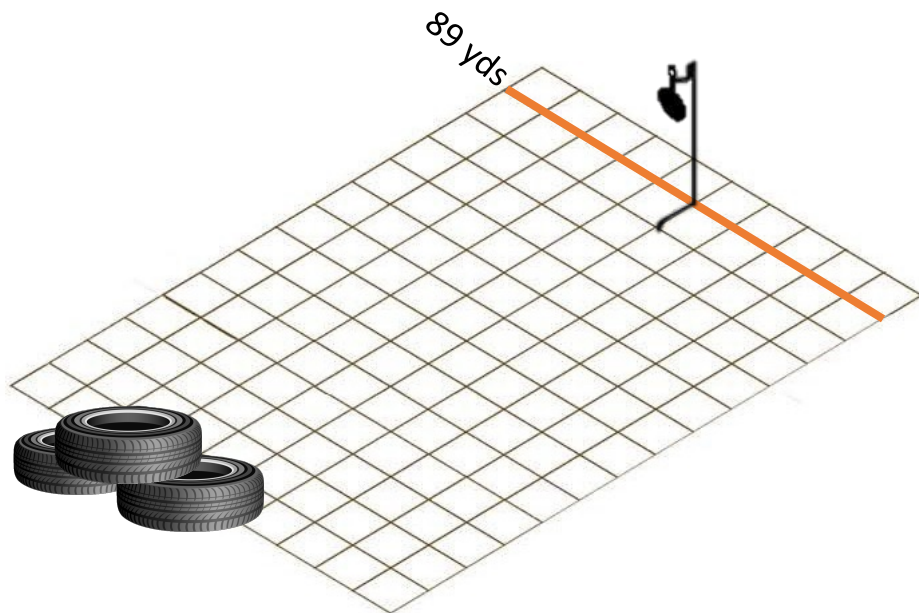
Points: 10 points per impact, 100 points possible

Start Position: Standing, rifle and all gear in hand, mag in, action open

Description: On the start signal, the shooter will engage the target with 2 shots in the following order:

- Left tire
- Center tire – 3 different positions (i.e. left, rear, right, or front on the tire)
- Right tire

OG/Adaptive Recommendation: Same starting position. Tires can be placed on top of two barrels or any elevated platform and shot in the same manner.



Boston Tea Party

Time: 120 Sec

Round Count: 10

Ranges and Targets:

Option 1 – 100 yds: 1.5", 2", 2.5", 3" on 2 double hangers

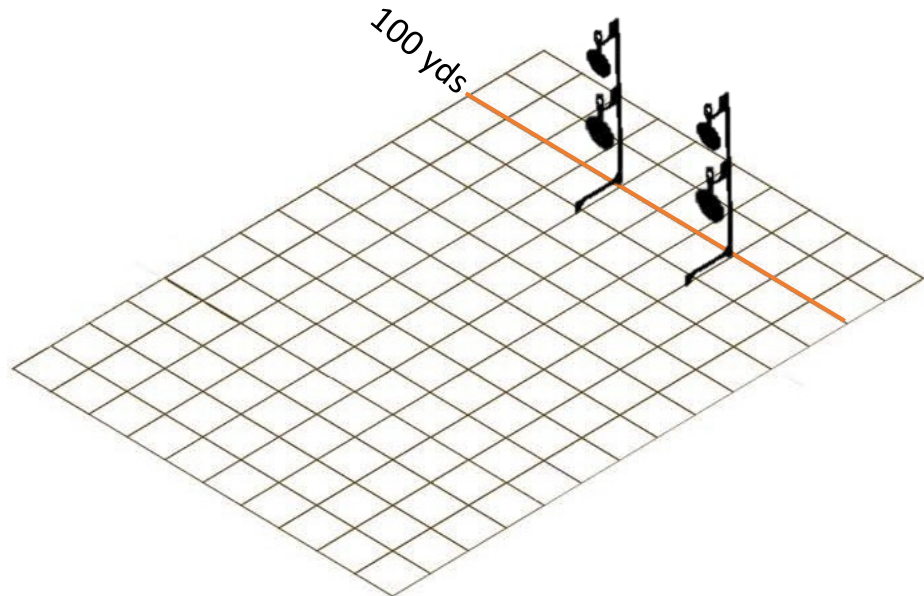
Option 2- 150 yds: 3", 4", 5", 6"

Points: 100 pts possible: 10 pts – 1.5"; 8 pts – 2"; 5 pts – 2.5"; 3 pts – 3"
Options 2: 10 pts – 3"; 8 pts – 4"; 5 pts – 5"; 3 pts – 6"

Start Position: Standing, rifle and all gear in hand, mag in, action open

Description: On the start signal, the shooter will move to a prone supported position and select which target he/she will engage. If the shooter decides to change targets, then they will need to announce it to the RO prior to engaging the target.

OG/Adaptive Recommendation: Shooter can start in prone position mag in bolt back. If shooter is unable to shoot prone, shooter will start standing mag in bolt back and may sit in a chair and use a barrel to support the rifle or a bench if readily available.



One If By Land, Two If By Sea

Time: 120 Sec

Round Count: 10

Ranges and Targets:

Option 1 – 73 yds: 2.5” on a single hanger

Option 2 – 146 yds: 5”

Points: 10 points per impact, 100 points possible

Start Position: Standing, rifle and all gear in hand, mag in, action open

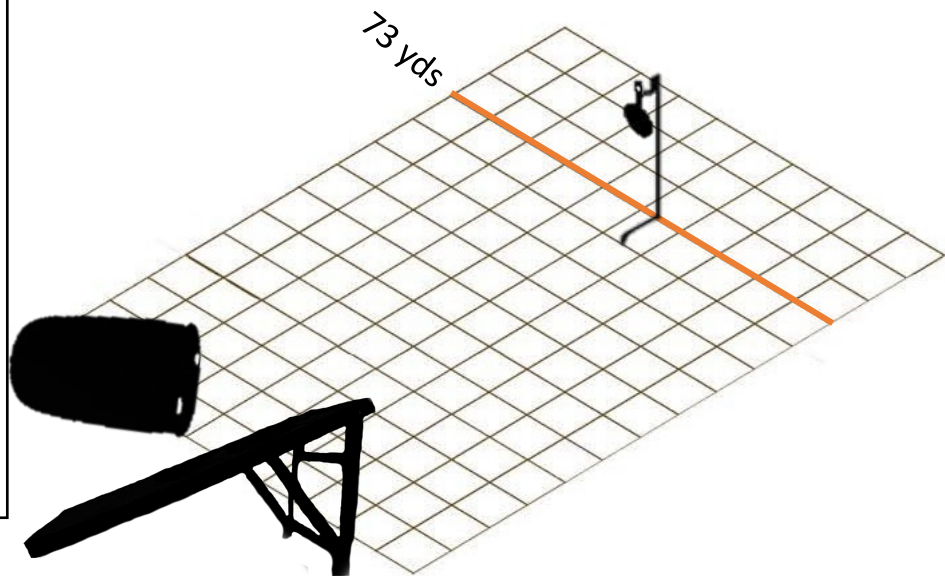
Description: On the start signal, the shooter will engage the target in the following order:

- 55-gallon barrel – 3 shots
- Rooftop – 4 shots
- 55-gallon barrel 3 shots

Note: 55-gallon barrel is on its side with top facing to the right. For safety consideration, the shooter may be handed the rifle after ascending/descending the rooftop.

No part of the shooter or equipment may touch the ground while on the rooftop.

OG/Adaptive Recommendation: Same starting position and shot in the same order. The 55-gal barrel can be standing straight up.



The Redcoats Are Coming

Time: 120 Sec

Round Count: 12

Option 1 – 35 yds: KYL rack (0.25", 0.5", 0.75", 1")

Ranges and Targets:

Option 2 – 65 yds: KYL rack (0.5", 1"), 1.5", 2"

Points: 10 points per impact, 120 points possible

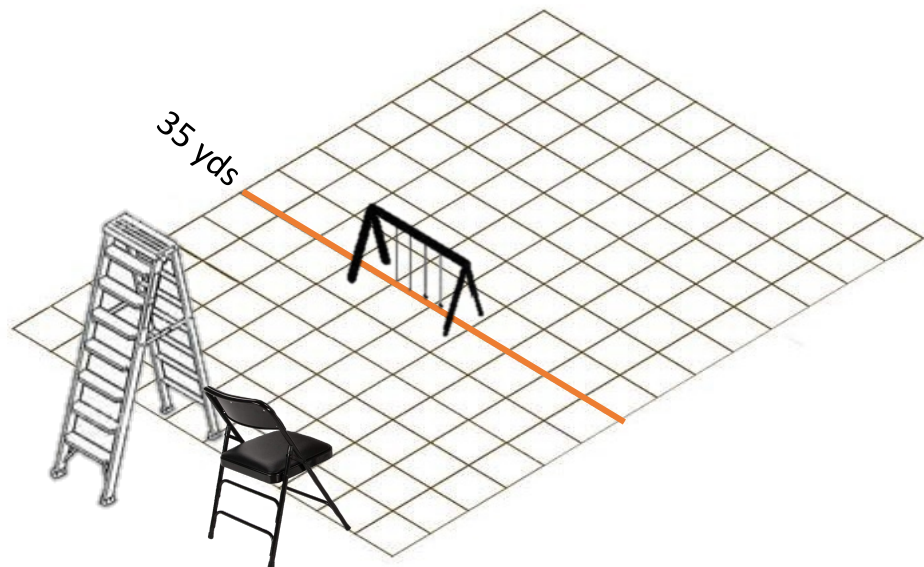
Start Position: Standing, rifle and all gear in hand, mag in, action open

Description: On the start signal, the shooter will engage the KYL rack with 1 shot from large to small, hit or miss move on, in the following order:

- Any ladder rung
- Chair backrest
- Any ladder rung (can't repeat the previous rung)

Note: The chair is shot from the support side. Support side means, support eye, shoulder, and hand.

OG/Adaptive Recommendation: No modification or same starting position with the shooter only using the ladder (3 different rungs). The second transition on the ladder will require to be shot from their support side.



Battle At Bunker Hill

Time: 120 Sec

Round Count: 10

Option 1 – 49 yds: 1.5" on a double hanger
62 yds: 2" on a double hanger
73 yds: 2.5" on a double hanger
85 yds: 3" on a single hanger
100 yds: 5" on a single hanger

Ranges and Targets:

Option 2 – Same target distances and sizes as Option 1
Stressor: 90 sec par time and mandatory mag change after the 5th shot.

Points: 10 pts per impact plus 0.1 bonus points per second remaining.
For the PractiScore NRL22 template enter the total time elapsed in seconds.

Start Position: Standing, rifle and all gear in hand, mag in, action open

Description: On the start signal, the shooter will engage the targets from far to near and then from near to far with 1 shot each, hit or miss move on, from any tank trap tip. After the 5th shot, the shooter must move to a different tank trap tip.

Note: This is a no dial stage. Elevation and windage may not be touched after the time starts. Only parallax may be adjusted during the stage.

The tank trap tip is defined as the furthest point on the tank trap above the center.

OG/Adaptive Recommendation: No change other than the shooter may use a chair or stool to shoot off the tank trap.

