



February 2022 NRL22 Official Course of Fire

Welcome to the last month of the 2021 NRL22 season. This is your last opportunity to get some additional points to qualify you for the 2021 NRL22 National Championship that will be held May 27-29 at Gadsden Shooting Center in Iberia, Missouri. We will still publish a COF for March and April, but those are only for fun. We highly encourage MDs to create stages for their shooters that will test their skills, manage their equipment, and time to include efficiency of movement. We would also like to welcome a new member of our support staff, Ruth Soucie. Ruth has been a Match Director for monthly NRL22 matches and has hosted NRL22X matches. Ruth is going to be a great asset to our team and we look forward working with her.

PractiScore Template: Here is the link for the PractiScore template for this month's COF. This template has all the stages already built for you if you don't want to create them yourself. All you need to do is follow the instructions to the letter otherwise you risk your match results being overwritten. [PractiScore Template](#)

DFAT Range Card: The DST Precision DFAT allows you to use the rifle and optic to dryfire practice in a very small area such as your garage, living room, or even bedroom. With this adapter most scopes focus in the 11-15 feet range. You can find this month's COF range card here. [DFAT Range Practice Range Card](#)

Option 2: If an MD chooses to select option 2 for any stage, then he/she is responsible for acquiring the needed targets and hangers. The target sizes and distances for option 2 are set and must be adhere to, this ensures that a MD doesn't have an advantage over other shooters. The only exception to this is if a MD doesn't have the needed distance to accommodate a stage for option 2 then they may change the distance and target size but match it as close as possible to the COF. If a change as such is made, then the MD needs to make it public to their shooting club prior to the match. Additionally, option 1 and option 2 are not to mix within a stage. The MD either chooses option 1 or option 2 for the entire stage.

COF Designer: Eric Briggs, Rustin Hughs, Quentin Hughs, Kelly Neeley, and Nathan Neeley from Thompson River Precision Rimfire Shooters out of Jamesport, Missouri. Eric is also the Match Director for this club. Thank Eric and your team for hosting NRL22 matches and submitting a fun looking COF.

Range requirements: This month's COF will require a 55-gal barrel, 5-gal buck, 2x cinder blocks, ladder, a stopwatch that can time down to a tenth of a second, and the 2020/2021 NRL22 standard target package. Left over targets: ¼" & 1" with a KYL rack, 2x 1.5", 1x 2", 1x 6", and 1x double hanger.

Safety suggestions: Weed whacker plastic string works very well for Empty Chamber Indicators (ECI). Using ECI ensures a rifle is not loaded and especially useful for semi-auto rifles. Mag block flags are acceptable for an ECI; however, the RO needs to ensure that the chamber is clear. The stages' starting positions were deliberately set up for safety. Ensure RO's are very close to new shooters and kids, especially in case the 180 rule is broken or a transition is made without the action open or safety engaged.

Scoring submissions: Download the NRL22 Scores sheet from the downloads section on [NRL22.org/downloads](https://www.nrl22.org/downloads), fill out the results, and submit scores through the NRL22.org by clicking [here](#), followed by payment for the match admin fee. Deadline for submissions is **March 2nd, 2022**. Keep in mind that only NRL22 members are eligible for prizes and while we have a 30-day grace period for membership, if the prizes are already distributed, it is the competitor's loss. The live Facebook show for prizes will happen on **March 9th, 2022**.

February 2022 NRL22 Official Course of Fire

Here is the running list of approved out-of-production rifles that will remain in base class. These rifles must be in their original factory configuration to be eligible for base class. The only modifications to those rifles are the ones listed in the NRL22 Rules Section 5. B. The burden of providing solid evidence for inclusion into base class rests squarely on the shooter, and the MD makes the final call on which class the shooter's rifle gets classified in.

- CZ 452 (all models)
- CZ 455 (all models)
- Savage (all models, except Savage Anschutz)
- Ruger (all models)
- Marlin/Glenfield
- Mossberg (all models)
 - Levermatic
 - Model 20
 - Model 60 (aka Glenfield 60) & historical variants
 - Model 65 (aka Glenfield 65) & historical variants
 - Model 780
 - Model 39A (variants & predecessors)
- Winchester
 - Model 69 & variants
 - Model 131 & 141 (including SR variants)
- Cooney
 - 60
 - 64 (predecessor to Savage 64)

- Example #1: The CZ 452 American had an MSRP of \$409.00 in 2007. Inflation adjustment puts that MSRP at \$618.65 in 2021. This is clearly in line with many other “base class” rifles including several versions of the CZ 457.
- Example #2: The CZ 455 Varmint Precision Trainer had an MSRP of \$967 in 2018. Inflation adjustment puts that MSRP at \$1056.67 in 2021. Unless the competitor is electing to shoot with iron sights, it would be practically impossible for this model to stay under the applicable \$\$\$ threshold.
- Example #3. The Winchester Model 52 Sporter had an MSRP of just \$88.50 in 1934. However, 87 years of compound inflation really adds up. Inflation adjustment puts that MSRP at \$1158.20 in 2021. The Model 52 will be a ton of fun to shoot, ...in Open class.

Inflation/compound interest calculator can be found at <https://www.investor.gov/financial-tools-calculators/calculators/compound-interest-calculator>

Use a fixed 3.0% rate, nothing for variance range, compound annually

Love Is A Battlefield

Time: 120 Sec

Round Count: 10

Ranges and Targets:

- Option 1 - 45 yds: ½" & ¾" on a KYL rack
- 75 yds: 2" on a single hanger
- 92 yds: 2.5" & 3" on a double hanger
- Option 2- 90 yds: 1" & 1.5" on hanger(s)
- 150 yds: 4" on a single hanger
- 184 yds 5" & 6" on hangers

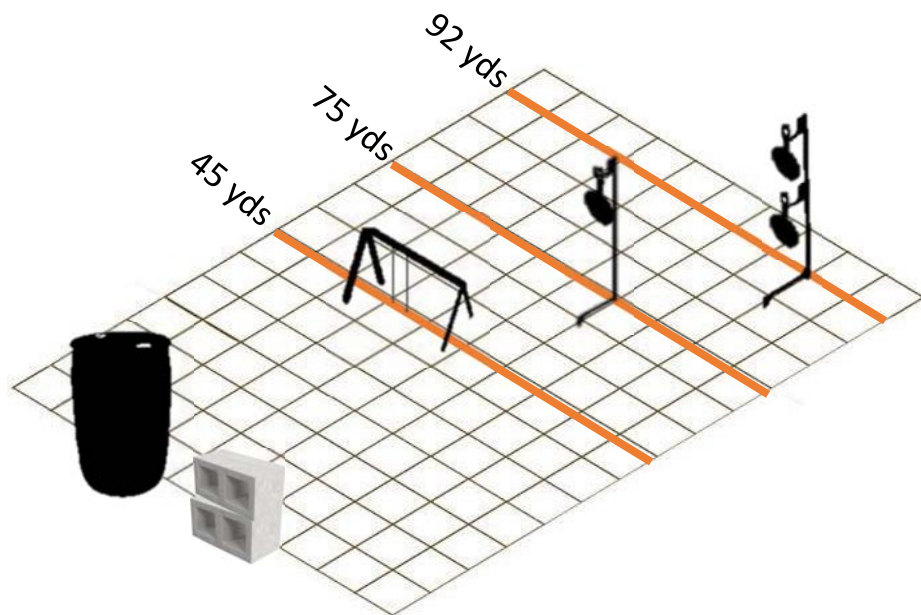
Points: 10 points per impact, 100 points possible

Start Position: Standing, rifle and all gear in hand, mag in, action open

Description: On the start signal, the shooter will take a position on the 55-gal barrel and engage the targets small to large (near to far) with one shot each.

The shooter will then transition to the top of the stacked cinder blocks and engage targets from large to small (far to near) with one shot each.

OG/Adaptive Recommendation: Same starting position. Shooter may use a chair when shooting from the 55-gal barrel and cinder blocks may be on a bench. The shooter will not sit when the cinder blocks are on the bench.



I Hope I Don't Miss

Time: 120 Sec

Round Count: 10

Ranges and Targets:

Option 1- 57 yds: 1" & 1.5" on a double hanger
100 yds: 5" on a single hanger

Option 2- 114 yds: 2" & 3" on a double hanger
200 yds: 10" on a single hanger

Points: 10 points per impact on near targets; 8 points per impact on far target. 100 points possible

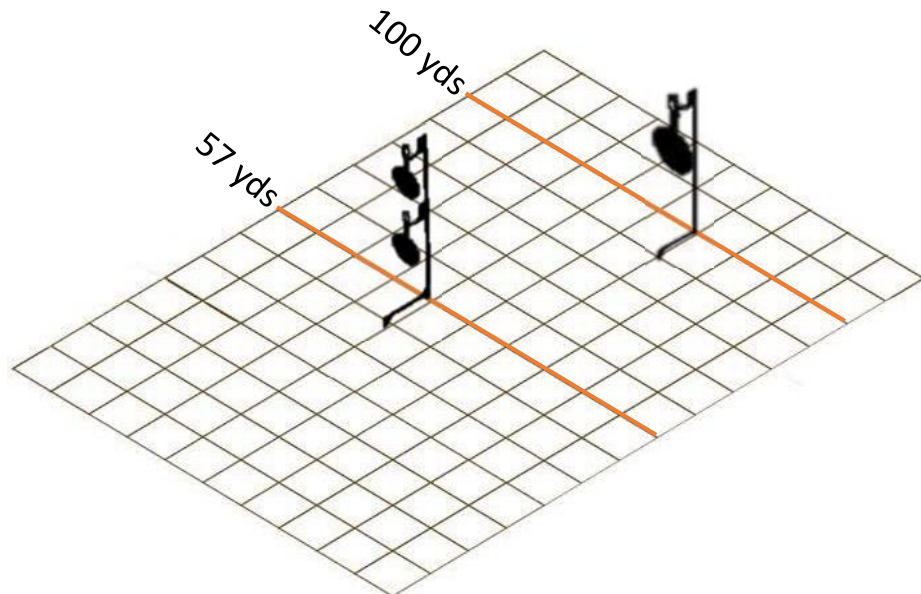
Start Position: Standing, rifle and all gear in hand, mag in, action open

Description: On the start signal, the shooter will take a prone supported position and engage the near targets with 1 shot each alternating between the two targets. Starting with the large target then small.

If the shooter misses, they must impact the far target twice before returning to the near targets.

Note: All shots are support side. Support side means support eye, shoulder and hand.

OG/Adaptive Recommendation: Same starting position if shooting off a bench. Starting in position if shooting from the prone.



Is This Love?

Time: 120 Sec

Round Count: 10

Ranges and Targets:

Option 1 – 53 yds: 1" & 2" on a double hanger

73 yds: 2.5" on a double hanger

93 yds: 3" & 4" on a double hanger

Option 2 – 106 yds: 2" & 4" on a double hanger

146 yds: 5" on a double hanger

186 yds: 6" & 8" on hangers

Points: 10 pts per impact plus 0.1 bonus points per second remaining, i.e. if 8.7 sec remain the shooter will earn 0.87 points. **For the PractiScore NRL22 template enter the total time elapsed in seconds.**

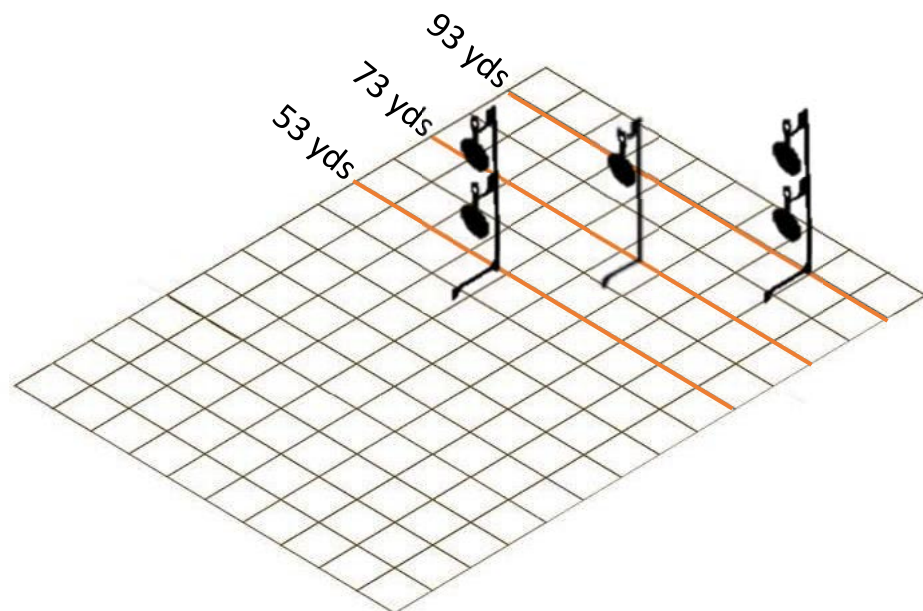
Start Position: Standing, rifle and all gear in hand, mag in, action open

Description: On the start signal, the shooter will engage each target with 1 shot from large to small (far to near) from a prone supported position.

Once the smallest target has been engaged the shooter will engage the targets from small to large (near to far).

Shooter must yell done to stop the time.

OG/Adaptive Recommendation: Same starting position if shooting off a bench. Starting in position if shooting from the prone.



Stairway To Love Or Hate

Time: 120 Sec

Round Count: 10

Ranges and Targets:

Option 1 – 69 yds: 2.5” on a single hanger

Option 2 – 138 yds: 5” on a single hanger

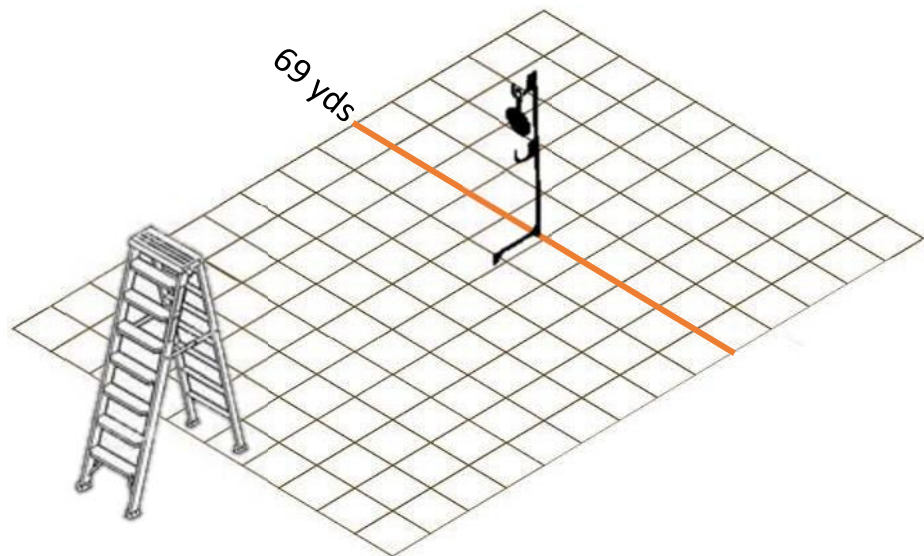
Points: 10 points per impact, 100 points possible

Start Position: Standing, rifle and all gear in hand, mag in, action open

Description: On the start signal, the shooter will engage the target with 1 shot from each ladder rung starting with the highest rung the shooter can reach.

The shooter will work down and up the ladder and then back down until all rounds have been fired or time expires.

OG/Adaptive Recommendation: Same starting position. Shooter will engage the target from the two highest ladder rungs they can reach and alternate after each shot.



Marty's Bucket Of Hearts

Time: 120 Sec

Round Count: 12

Ranges and Targets:

Option 1- 71 yds: 3" on a single hanger

Option 2- 142 yds: 6" on a single hanger

Points: 10 points per impact, 120 points possible

Start Position: Standing, rifle and all gear in hand, mag in, action open

OG/Adaptive Recommendation: Same starting position. Shooter will have the 5-gal bucket on a bench.

Description: On the start signal, the shooter will engage the target with 3 shots from the following positions on the 5-gal bucket:

1. Bucket upside down (opening facing down)
2. Bucket on its' side
3. Bucket upside down (opening facing down)
4. Bucket on its' side

