



# APRIL 2021 NRL22 OFFICIAL COURSE OF FIRE

April introduction:

Happy Easter and welcome to the final match of the 2020/2021 season. The NRL22 National Championship and NRL22X surveys have been sent out and we are receiving lots of feedback. We want to thank all the Match Directors who have provided significant feedback with the upcoming season rules. Huge congratulations to Simon Shih who was the first competitor in the history of the sport to clean all stages during the March COF. Simon's overall match score was 523.68.

## **Equipment Update:**

"A plate and single bag combination, attached or not attached, is considered 1 piece of equipment. It must be used together throughout the stage and may not exceed 9"x11"x7" together. Any piece of equipment added to a plate/bag combination is considered a second piece of equipment and is not allowed"

Section 5 C. 1. is the only rule that may be changed during the course of the season. All rule questions should be directed at each club's Match Director. The 2020/2021 NRL22 rules can be found at [NRL22 Rules](#).

If you need clarification on the rule change regarding equipment, then click this link [Equipment Video](#)

Here is the link for the PractiScore template for this month's COF. This template has all the stages already built for you if you don't want to create them yourself. All you need to do is follow the instructions to the letter otherwise you risk your match results being overwritten. [PractiScore Template](#)

We would like to thank DST Precision for coming onboard and creating a free product for everyone to use that allows the shooter to practice this COF inside their home with the use of their DFAT device. The DFAT allows you to use the rifle and optic to dryfire practice in a very small area. With this adapter most scopes focus in the 11-15 feet range. You can find this month's COF range card here. [DFAT Range Practice Range Card](#)

**COF Designer:** MD Dominic Thompson from NRL22-Ft. Campbell. Thank you for your contribution and fun COF.

**Range requirements:** This month's COF will require the 2020/2021 NRL22 standard target package, tank trap, ladder, tire, chair, and stopwatch that can time down to a tenth of a second.

**Safety suggestions:** Weed whacker plastic string works very well for Empty Chamber Indicators (ECI). Using ECI ensures a rifle is not loaded and especially useful for semi-auto rifles. Mag block flags are acceptable for and ECI; however, the RO needs to ensure that the chamber is clear. The stages' starting positions were deliberately set up for safety. Ensure RO's are very close to new shooters and kids, especially in case the 180 rule is broken or a transition is made without the action open or safety engaged.

**Scoring submissions:** Download the NRL22 Scores sheet from the downloads section on NRL22.org, fill out the results, and submit scores sheet to [matches@nrl22.org](mailto:matches@nrl22.org), followed by payment for admin fee. Deadline for submissions is **May 5th, 2021**. Keep in mind that only NRL22 members are eligible for prizes and while we have a 30-day grace period for membership, if the prizes are already distributed, it is the competitor's loss. The live Facebook show for prizes will happen on **May 12th, 2021**.



# APRIL 2021 NRL22 OFFICIAL COURSE OF FIRE

Here is the running list of likely Base class rifles and scopes MSRPs. If you notice models that are not on this list that are missing, please let your match director know. If you have questions about base class, please ask your match director.

They are the ones who make the determination.

## 1. Likely Base class rifle MSRP list:

- Ruger models: 10/22 \$309-899. Precision Rimfire \$529. American Rimfire \$359-579.
- CZ 457 \$365-1144
- Savage models: B22 \$286-445. A22 \$284-509. Mark 2 \$230-639.
- Bergara models: BXR Steel \$565. BXR Carbon \$659. BMR Steel \$565. BMR Carbon \$659

## 2. Likely Base class scopes list:

- Vortex models: Diamondback Tactical \$449.99-499.99
- Bushnell Match Pro 6-24x50 \$499.99
- Athlon models: Midas Tac \$709-755. Helos BTR \$638-719. Talos BTR \$204-329. Argos BTR Gen 2 \$450-\$500
- SWFA models: SS 10x42 Tactical \$299.95 (6, 12, 16 and 20 are the same. SS 10-42M \$399.95. SS 3-15x42 \$699.99.

# Feeling Tire-D?

Time: 120 Sec

Round Count: 10

**Ranges and Targets:** 75 yds: 2" on single hanger  
100 yds: 2.5" on single hanger

**Equipment:** 1 piece of equipment in accordance with the NRL22 rules.

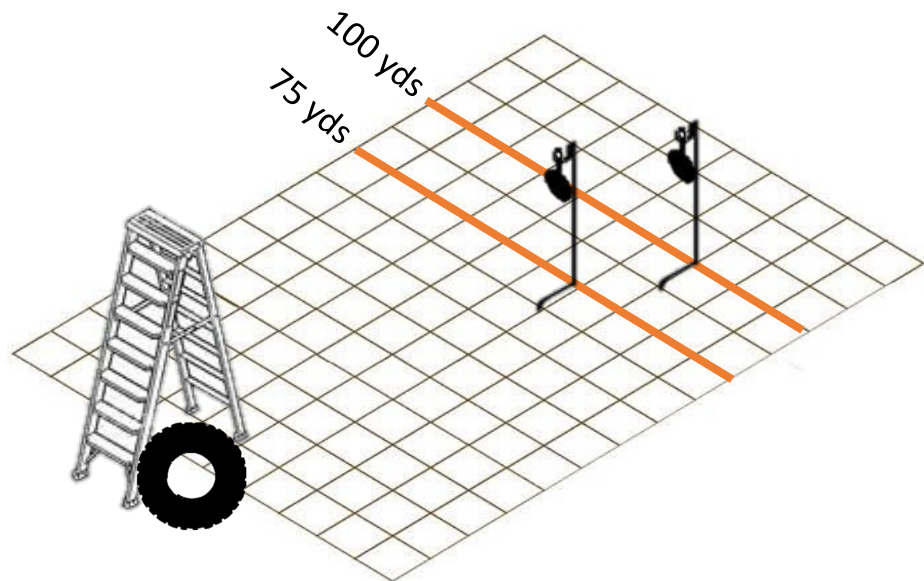
**Points:** 10 points per impact, 100 points possible

**Start Position:** Standing, rifle and all gear in hand, mag in, action open

**Description:** On start signal:

1. The shooter will take a position on the 4th or 5<sup>th</sup> ladder rung from the bottom and engage the 75-yard target with 2 shots.
2. Then engage the 100-yard target with 2 shots.
3. The shooter will then transition to the top of the tire and engage the 75-yard target with 2 shots.
4. Then engage the 100-yard target with 2 shots.
5. Last, the shooter will transition to the opening of the tire and engage the 75-yard target with 2 shots. The rifle/bipod cannot touch the ground.

**Note:** The tire should be secured to the ladder using a rope so that it is upright.



# The Final Countdown

Time: 120 Sec

Round Count: 10

**Ranges and Targets:** 87 yds: 3" on single hanger

**Equipment:** 1 piece of equipment in accordance with the NRL22 rules.

**Points:** 10 pts per impact plus 0.1 bonus points per second remaining, i.e. if 8.7 sec remain the shooter will earn 0.87 points. **For the PractiScore NRL22 template enter the total time elapsed in seconds.**

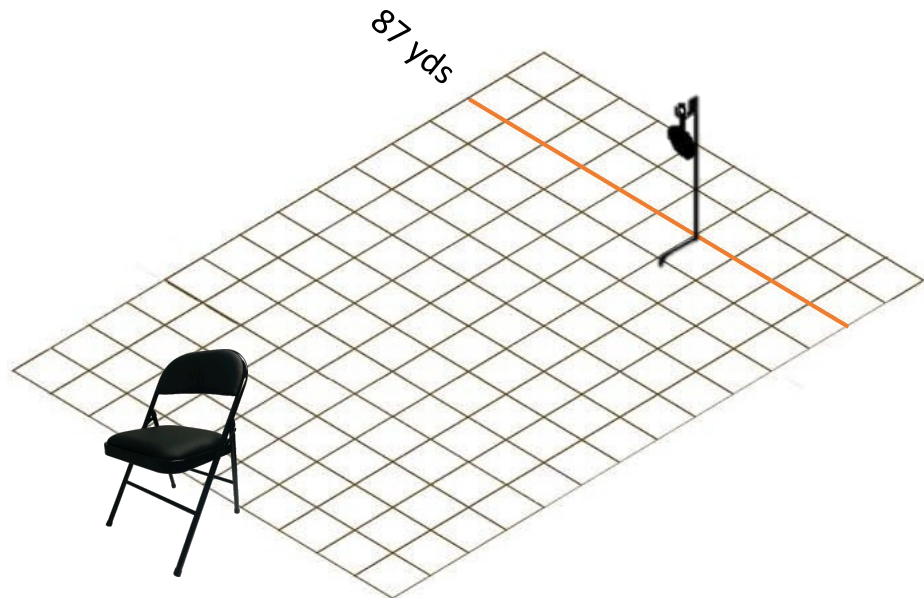
**Start Position:** Standing, rifle and all gear in hand, mag in, action open

**Description:** On start signal, the shooter will engage the target in the following manner:

- Off the backrest with 3 shots
- Seat of the chair with 2 shots
- Off the backrest with 3 shots
- Seat of the chair with 2 shots

When the shooter is done firing all shots then he/she must yell "Done" to stop the timer to earn the bonus points.

**Note:** The chair will be facing as pictured



# Easter Egg Hunt

Time: 120 Sec

Round Count: 12

**Ranges and Targets:**

25 yds: 0.25" on KYL

50 yds: 0.5" on KYL

67 yds: 1" on a double hanger

78 yds: 1.5" on a double hanger

84 yds: 2" on a double hanger

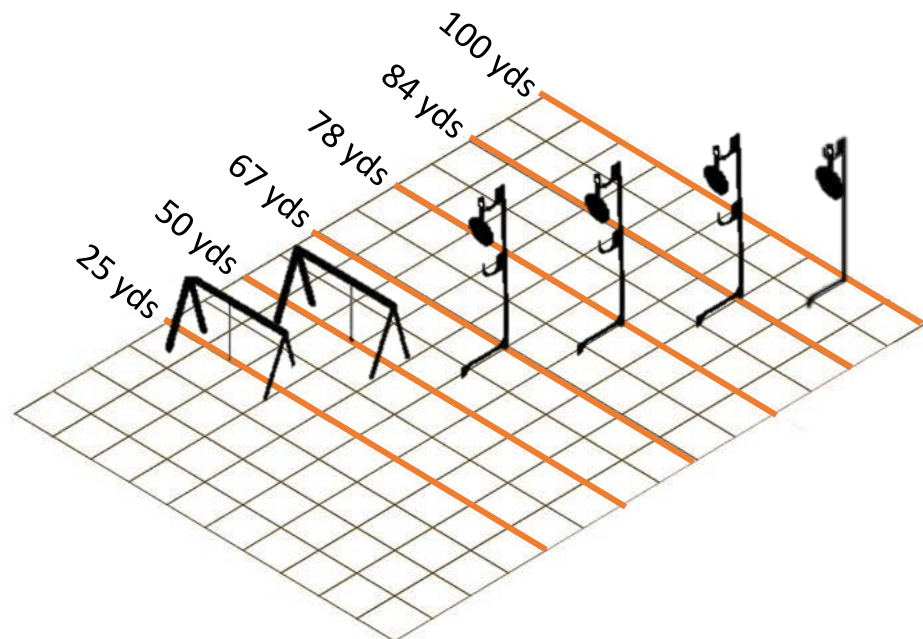
100 yds: 2.5" on a single hanger

**Equipment:** 1 piece of equipment in accordance with the NRL22 rules.

**Points:** 10 points per impact, 120 points possible

**Start Position:** Standing, rifle and all gear in hand, mag in, action open

**Description:** On start signal, the shooter will take a supported prone position and engage each target from near to far with 1 shot each and then repeat.



# Tank Trap Rodeo

Time: 120 Sec

Round Count: 12

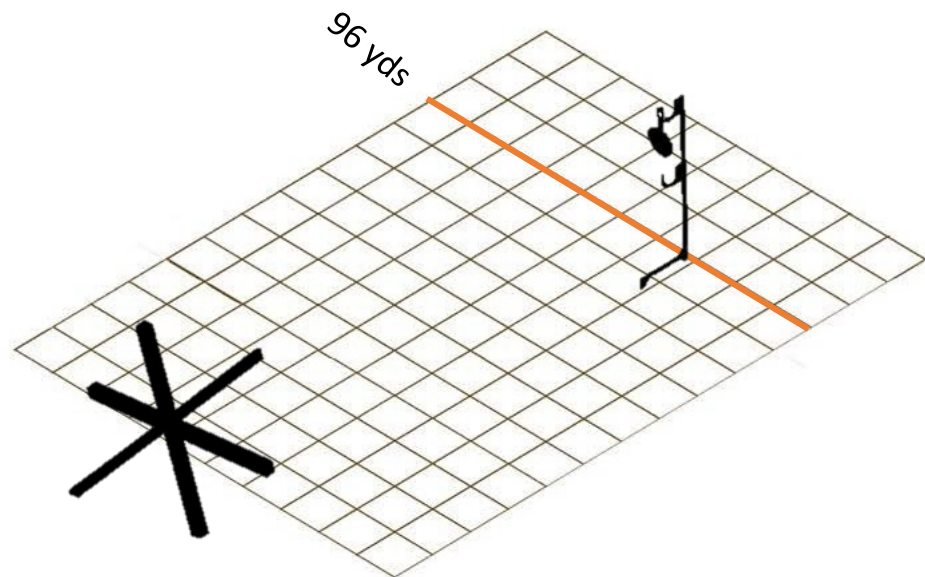
**Ranges and Targets:** 96 yds: 3" on double hanger

**Equipment:** 1 piece of equipment in accordance with the NRL22 rules.

**Points:** 10 points per impact, 120 points possible

**Start Position:** Standing, rifle and all gear in hand, mag in, action open

**Description:** On start signal, the shooter will engage the 96-yard target with 3 shots from each tank trap tip and 3 shots from the center of the tank trap.



# Tough Decisions

Time: 120 Sec

Round Count: 10

**Ranges and Targets:** 100 yds: 1" and 1.5" on double hanger  
100 yds: 2" and 2.5" on double hanger

**Equipment:** 1 piece of equipment in accordance with the NRL22 rules.

**Points:** 1"=10pts; 1.5"=7pts; 2"=5pts; 2.5"=3pt, 100 points possible

**Start Position:** Standing, rifle and all gear in hand, mag in, action open

**Description:** On start signal, the shooter will assume a supported prone position and select which target to shoot and engage that target 10 times.

The shooter may choose to switch targets at any time but must announce the change.

